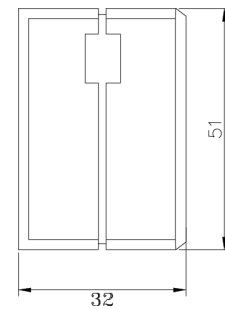
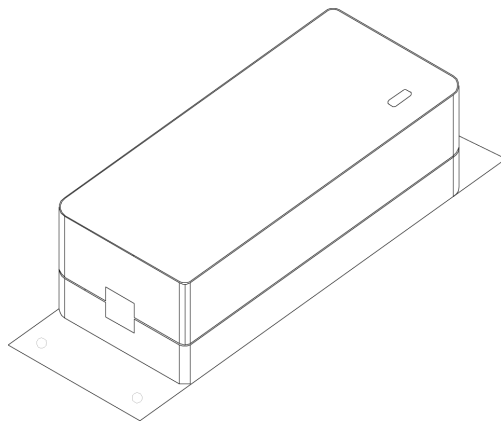
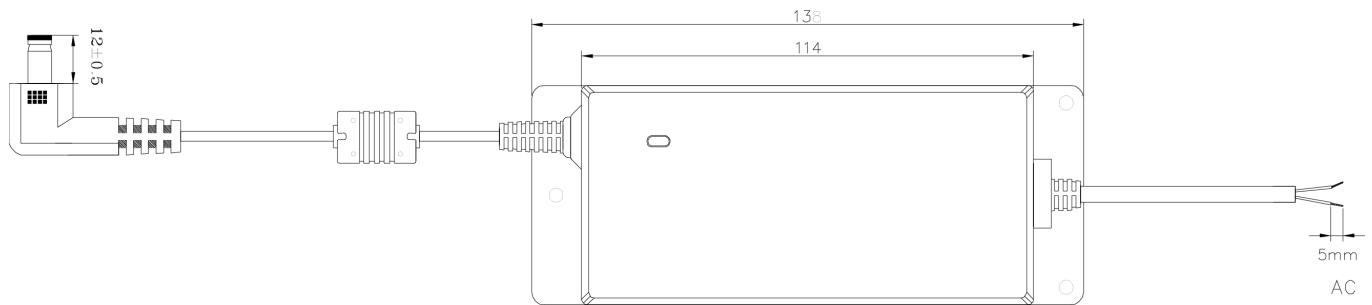


Advance 5A 12Vdc Power Supply Datasheet



Part number: ADV-PSU-5A

ADVANCE



Part Number	ADV-PSU-5A
AC input voltage range	90V AC to 254V AC
AC input frequency range	47Hz to 63Hz
Max. in-rush current	30A for 100V AC at full load, 75A for 240V AC at full load
Input current load	1.5A Max @ 90V/60Hz full load
Standby power no load	0.3W Max @ 230V/50Hz
Output voltage	+12V +/- 0.6V
Load Current	Minimum: 0mA, Maximum: 5000mA
Line regulation	+/-1%
Load regulation	+/-5%
Ripple and Noise	120mVp-p (max)
Total output power	60W typical
Temperature	Operating: -20°C to +40°C, Storage: -20°C to +75°C
Humidity	Operating: 20% to 90% R.H., Storage: 0% to 90% R.H.

For more information, visit the website or contact Technical Support:

Email: ac-support@grosvenortechnology.com
 Telephone: +44 (0)1279 838000
 Web: www.grosvenortechnology.com

