

Fitting the Reader Module

The fitting method is the same for RS21 and IT3100. Ensure Terminal is powered down and follow the procedure below -



1 Fit Slot Filler

If not already in position fit the slot filler bar by locating into the slot from the outside of the front panel. Observe correct orientation indicated by the word 'TOP' embossed on one face of the filler bar. Press home until it clicks.



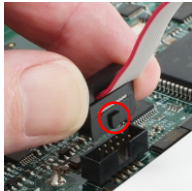
2 Screw Module In Position

Screw the Reader Module in position through the captive spacers. Screw tension should be sufficient to hold module firmly but avoid over tightening.



3 Connect Module

Fit the ribbon cable connector to the Front Panel observing polarising bump position.



4 Configure Terminal for Module

Once hardware installation is complete power-up Terminal and if necessary configure Terminal - see over for details.

**RM-FEIGFC-IT/RS
RM-FEIGHI-IT/RS**

**Reader Module
Ribbon Connector**

Connects to RS21 or IT3100
Front Panel

Diagnostic LED

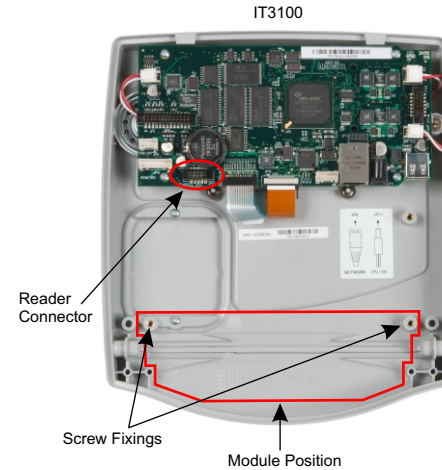
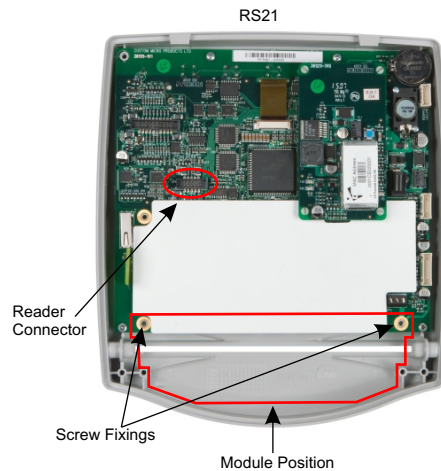
Slow flash indicates healthy
module

Mounting Screws

Including captive spacers

Reader Module Position

The Reader Module is positioned on the Front Panel as indicated.



General

The RM-FEIGFC-IT/RS and RM-FEIGHI-IT/RS are internal proximity card readers for Feig 125kHz cards and tags. FC type is for Fixed Code credentials and HI type is for Hitag programmable credentials -

- Standard Clock and Data output compatible with previous versions
- Typical read range from front of Terminal is 40mm with ISO card and 20mm with Tag
- Easy to fit - no wiring required
- Automatic configuration when used in IT series equipment

This Reader Module is suitable for both RS and IT series Terminals including the following -

- RS21
- IT3100

The Reader Module locates in the Front Panel and connects to the Terminal main board by the ribbon cable provided.

Module Power Loading - 8mA @12V Terminal Power IN

IG1011R01

Reader Module
Feig Proximity - IT/RS
Connection Details



**RM-FEIGFC-IT/RS
RM-FEIGHI-IT/RS**
www.grosvenortechology.com

Reader Setup

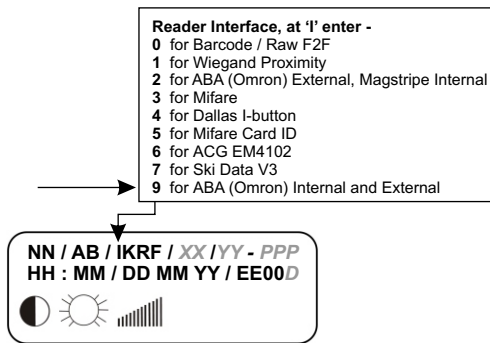
IT Series

When fitted in an IT Series device such as IT3100 Terminal there is no need to configure the reader type as the system will interrogate the module and setup relevant drivers automatically.

RS Series - Setting Reader Interface Parameter

With RS series Terminals such as RS21 the reader type needs to be configured for correct operation. This can be done using the front panel display and keyboard as follows-

- Press F1 and F5 simultaneously to enter setup mode
- Enter the password '1905' and press the enter key.
- Move cursor to position 'I'
- Enter '9' as reader type - ABA (Omron) Internal and External



Reader Module Diagnostics

When connected to IT Series equipment the module provides diagnostic information to the host including -

- Power supply Voltage
- Power supply Current
- Temperature
- Serial number
- Firmware version.

Diagnostic information for all installed modules may be viewed remotely.